

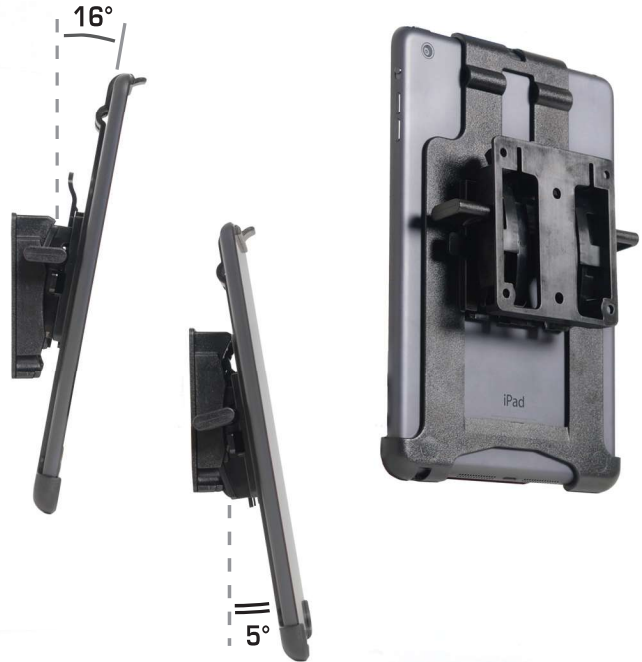
iPad mini™ Clip

Spec Sheet

Rev 06/25/2019



Clip is shown with AirGizmos Base Mount Tilt



- Width:** 5.53 in
Height: 8.18 in - for mini
8.25 in - for mini4 & 5
Depth: 1.76 in
Weight: 3.5 ounces
(less mounting hardware)

Item IM1 is compatible with iPad models A1532, A1454, A1455, A1489, A1490, A1599, and A1600
Item IM4 is compatible with iPad models A1538, A1550, A2124, A2126, and A2133

Fits in a standard Instrument Panel

All trademarks and registered trademarks are the property of their respective owners.



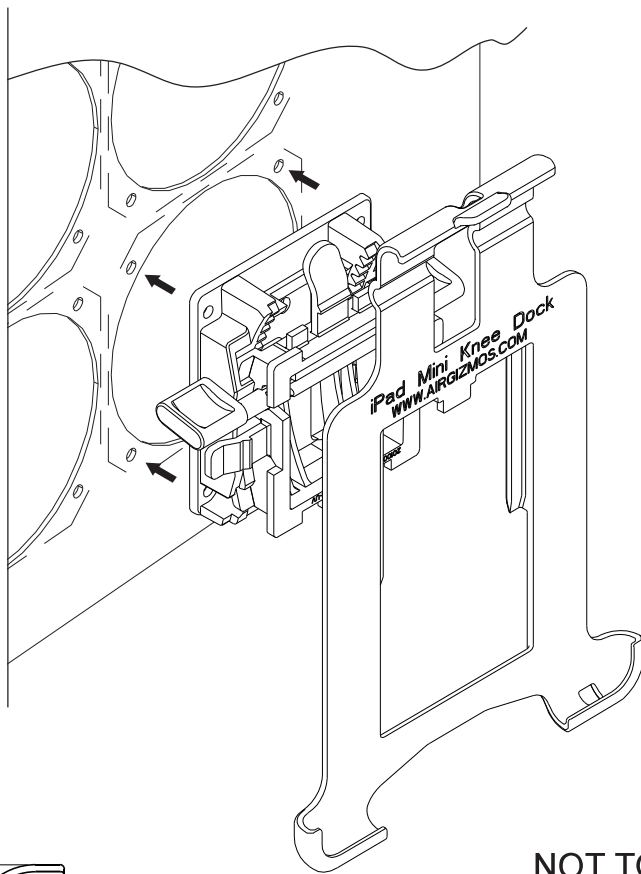
To place an order or inquire for more information, visit our website or contact us at:

www.airgizmos.com

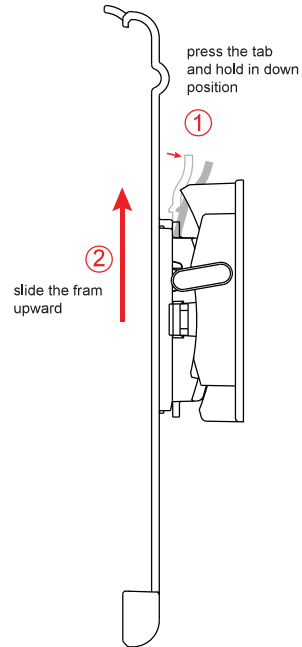
(972) 671 - 8001 tel
(972) 231 - 3870 fax

1100 Jupiter Rd, Suite 110
Plano, TX 75074

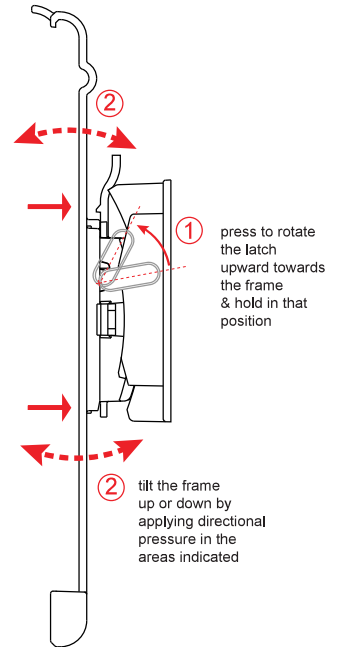
info@airgizmos.com
sales@airgizmos.com



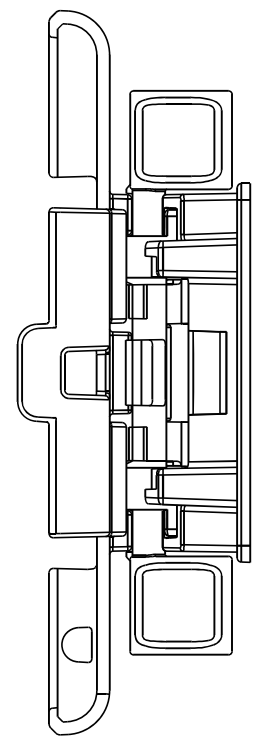
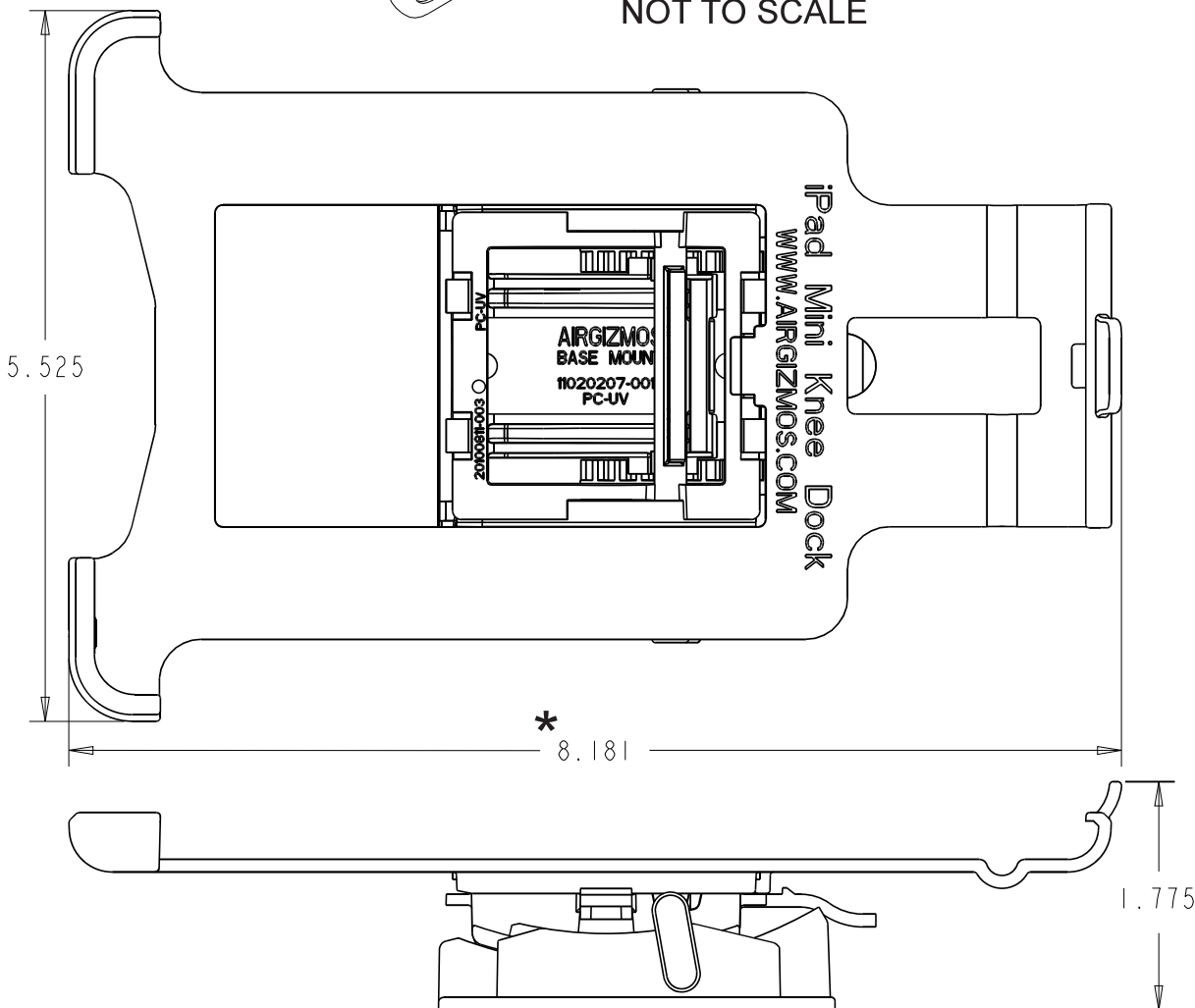
Release Frame



Rotate Frame



NOT TO SCALE



* Height for mini, mini 4 & 5:
 8.181 - mini
 8.249 - mini 4 & 5