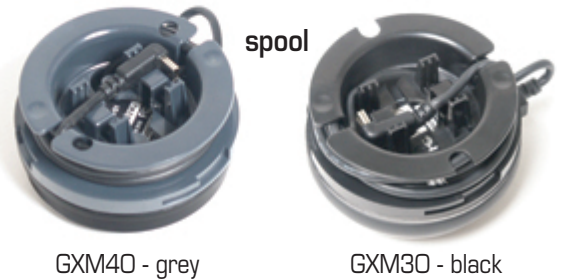


## GXM40 & GXM30 Antenna Dock

# Spec Sheet

Rev 03/30/2018



Diameter: 3.75 in

Height: 1.125 in

Weight: 2.4 ounces  
(less mounting hardware & cable)

Spools: black = Garmin 396/496 Antenna  
= GXM 30  
= item#: AD1; old item#: 8

grey = Garmin 696/796/aera Antenna  
= GXM 40  
= item#: AD1; old item#: 33

**ONE spool is supplied in the package**

Patented. Antenna not included.

Antenna Dock shown with GXM40(top) and GXM30(bottom) Antennas

To place an order or inquire for more information, visit our website or contact us at:

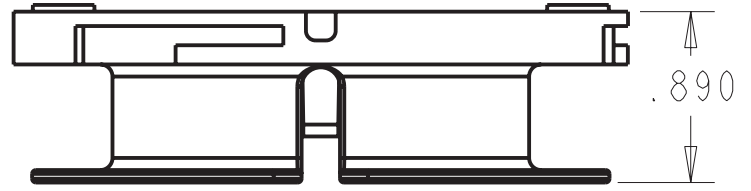
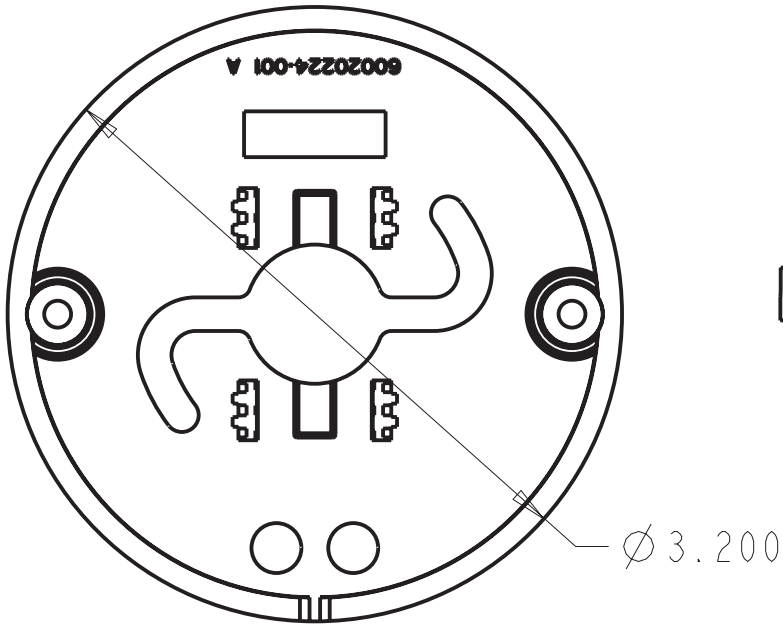
[www.airgizmos.com](http://www.airgizmos.com)

(972) 671 - 8001 tel  
(972) 231 - 3870 fax

1100 Jupiter Rd, Suite 110  
Plano, TX 75074

info@airgizmos.com  
sales@airgizmos.com

# Antenna Dock - BASE



# Antenna Dock - CRADLE

